

**INSTRUCTIONS FOR INSTALLING A MOTOR AND VEND DOOR CONTROL ASSEMBLY
REPLACEMENT KIT OR A DELIVERY DOOR HARNESS REPLACEMENT KIT IN A
NATIONAL VENDORS[®], CROWN SEVENTY TWO[®], GG-424 GRAND GOURMET FOOD
MERCHANDISER**

**CHECK THE PARTS RECEIVED IN THE KIT WITH THE PARTS LIST
IN THESE INSTRUCTIONS. IF ANY PARTS ARE MISSING, CONTACT
NATIONAL VENDORS' PARTS DEPARTMENT IMMEDIATELY.**

These instructions cover the procedure for installing a Motor and Vend Door Control Assembly Replacement Kit, part number 424-2275, or a Delivery Door Harness Replacement Kit, part number 424-2276, in a Crown Seventy Two, GG-424 Grand Gourmet Food Merchandiser.

Read these instructions carefully and thoroughly before installing the Kit. Retain these instructions for part number and installation information.

Kit, part number 424-2275, contains the following parts:

Part Number	Description	Quantity
424-2273	Motor and Vend Door Control Assembly	1
424-2272	Delivery Door Harness	1
9900-166	No.8-32 x 5/16 THS S/T Screw	4
424-2260	No.8 External - Internal Lockwasher	4
424-2274	Installation Instructions * * *	1

Kit, part number 424-2276, contains the following parts:

Part Number	Description	Quantity
424-2272	Delivery Door Harness	1
424-2274	Installation Instructions * * *	1

NOTE

Section I of these Instructions covers the installation of the Motor and Vend Door Control Assembly Replacement Kit in the Merchandiser.

Section II of these Instructions covers the installation of the Delivery Door Harness Replacement Kit in the Merchandiser.

TO INSTALL THE KIT

WARNING

1. The Main Switch must be in the OFF position when the Motor and Vend Door Control Assembly is exposed.
2. Always install the Vend Door Control Shield before returning the Merchandiser to service.
3. DO NOT leave the Merchandiser unattended with the Motor and Vend Door Control Assembly exposed.
4. If it is necessary to remove the Vend Door Control Shield with power ON, keep hands, tools, clothing etc. away from the Motor and Vend Door Control Assembly.

**SECTION I
INSTALLATION OF THE MOTOR AND VEND DOOR CONTROL ASSEMBLY REPLACEMENT
KIT IN THE MERCHANDISER**

A. PARTS REMOVAL

1. Unlock and open the Monetary Compartment.
2. Move the Main Switch to the OFF position.
3. Open the Display Door.
4. Remove five Screws and the Vend Door Control Shield from the Merchandiser. See Figure 1.
5. Disconnect the Delivery Door Harness from the four Delivery Door Switches and the Motor on the Motor and Vend Door Control Assembly. See Figure 2.

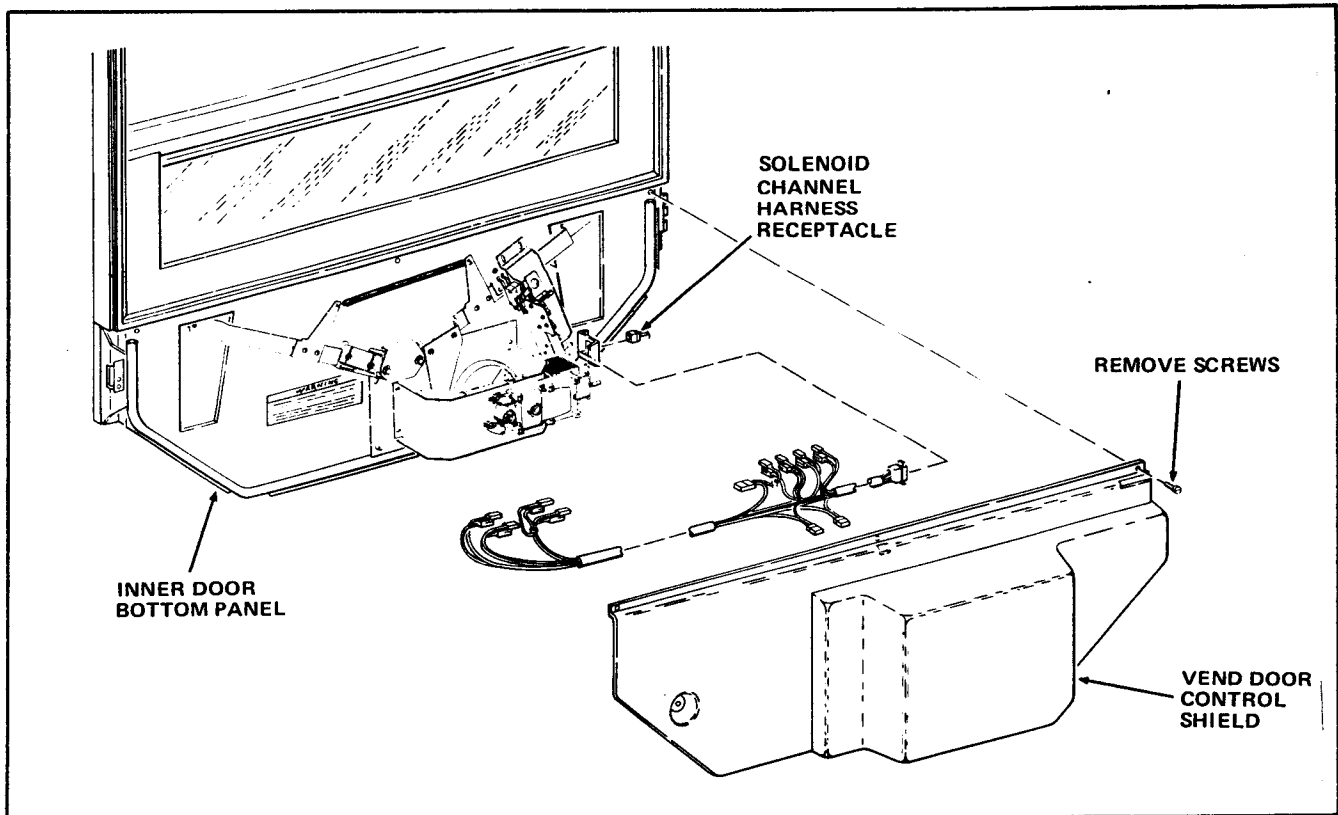


FIGURE 1

6. Disconnect the Delivery Door Harness from the four Delivery Door Switches and the Door Lock Solenoid on the Latch Mechanism Assembly. See Figure 2.
7. Disconnect the Solenoid Channel Harness Receptacle from the Delivery Door Harness Plug and pull the Delivery Door Harness Plug free of the Plug Bracket on the Inner Door Bottom Panel. See Figure 1.
8. Remove one attaching Screw, one Wire Clamp and the Delivery Door Harness from the Merchandiser, pulling the Harness out of the Wire Clip on the Motor and Vend Door Control Assembly. See Figure 2.
9. Remove the Wire Clamp from the Delivery Door Harness. Be sure to retain both the Wire Clamp and its attaching Screw. See Figure 2.
10. Remove four attaching Screws and the Latch Mechanism Assembly from the Inner Door Bottom Panel. See Figure 3.
11. Remove four attaching Screws, four Lockwashers and the Motor and Vend Door Control Assembly from the Inner Door Bottom Panel. See Figure 3.

B. INSTALLATION OF THE KIT

1. Position the Motor and Vend Door Control Assembly, part number 424-2273, included in the Kit on the Inner Door so that the Vend Door is resting on the two Control Arm Rollers and the four holes in the Motor and Vend Door Control Assembly are aligned with the four holes in the Inner Door Bottom Panel. Attach with the four Screws, part number 9900-166, and four Lockwashers, part number 424-2260, included in the Kit. See Figure 4.
2. Install on the Inner Door Bottom Panel the four attaching Screws and the Latch Mechanism Assembly removed in Step A-10. See Figure 4.
3. Place the Wire Clamp, removed in Step A-9, around the Delivery Door Harness, part number 424-2272, included in the Kit, as shown in Figure 2.
4. Attach the Wire Clamp and Delivery Door Harness to the Latch Mechanism Assembly with the Screw removed in Step A-8 and push the Harness into the Wire Clip on the Motor and Vend Door Control Assembly. See Figure 2.

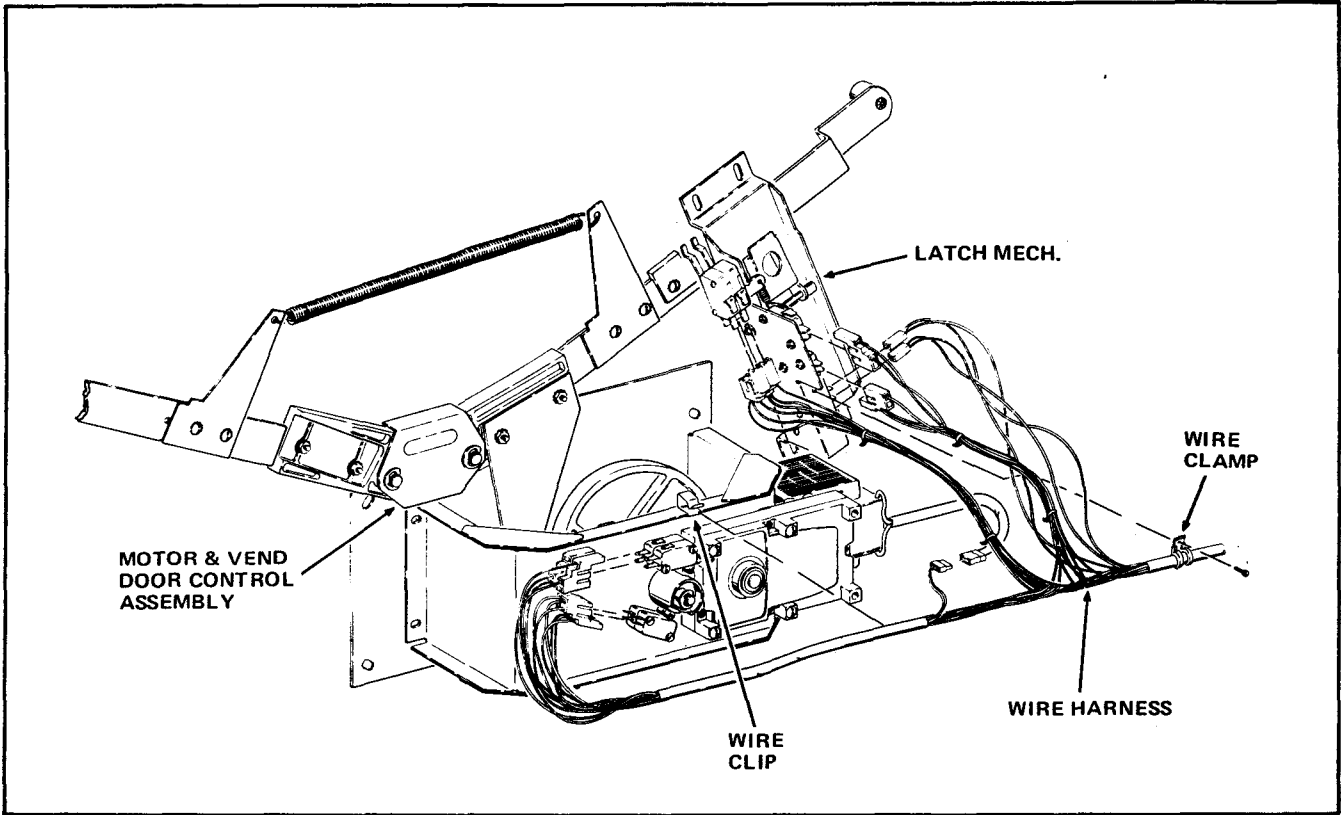


FIGURE 2

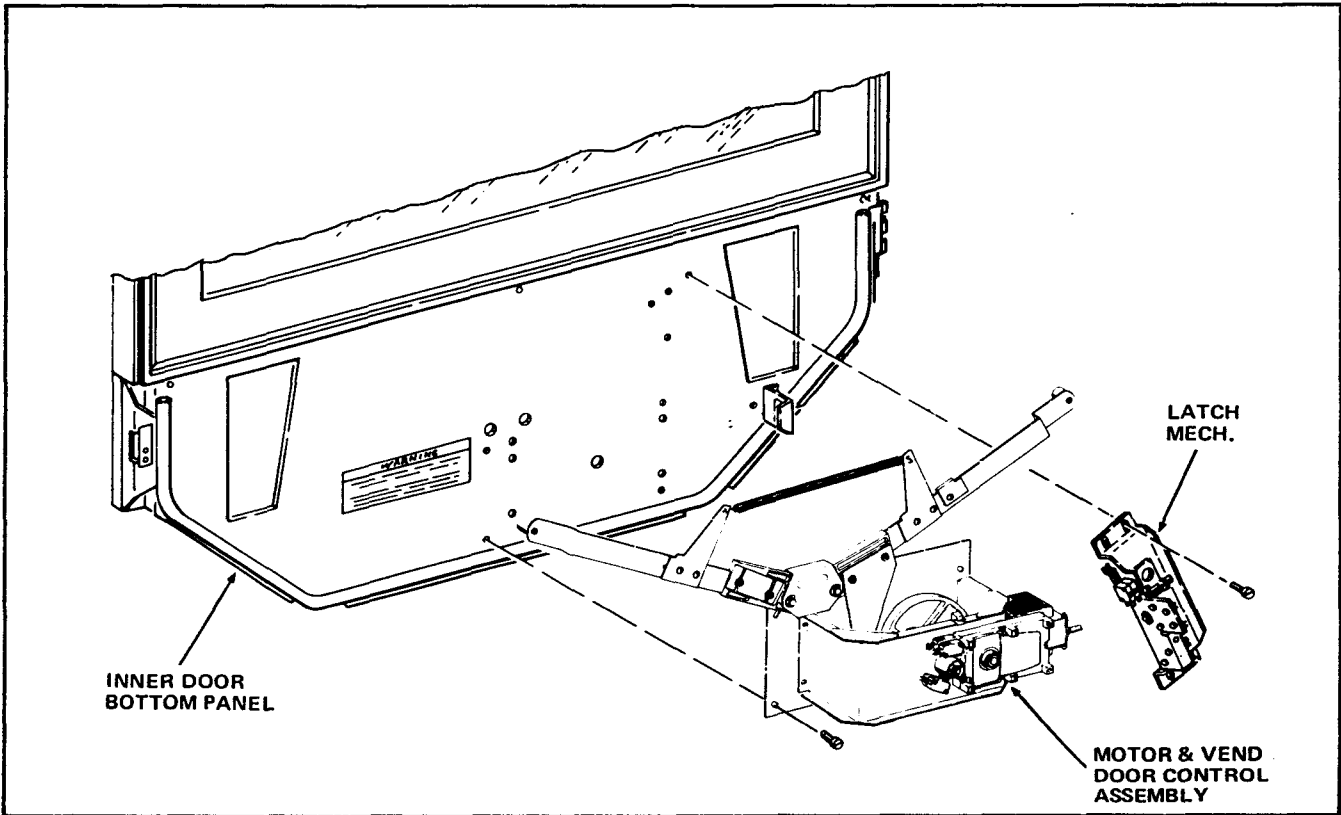


FIGURE 3

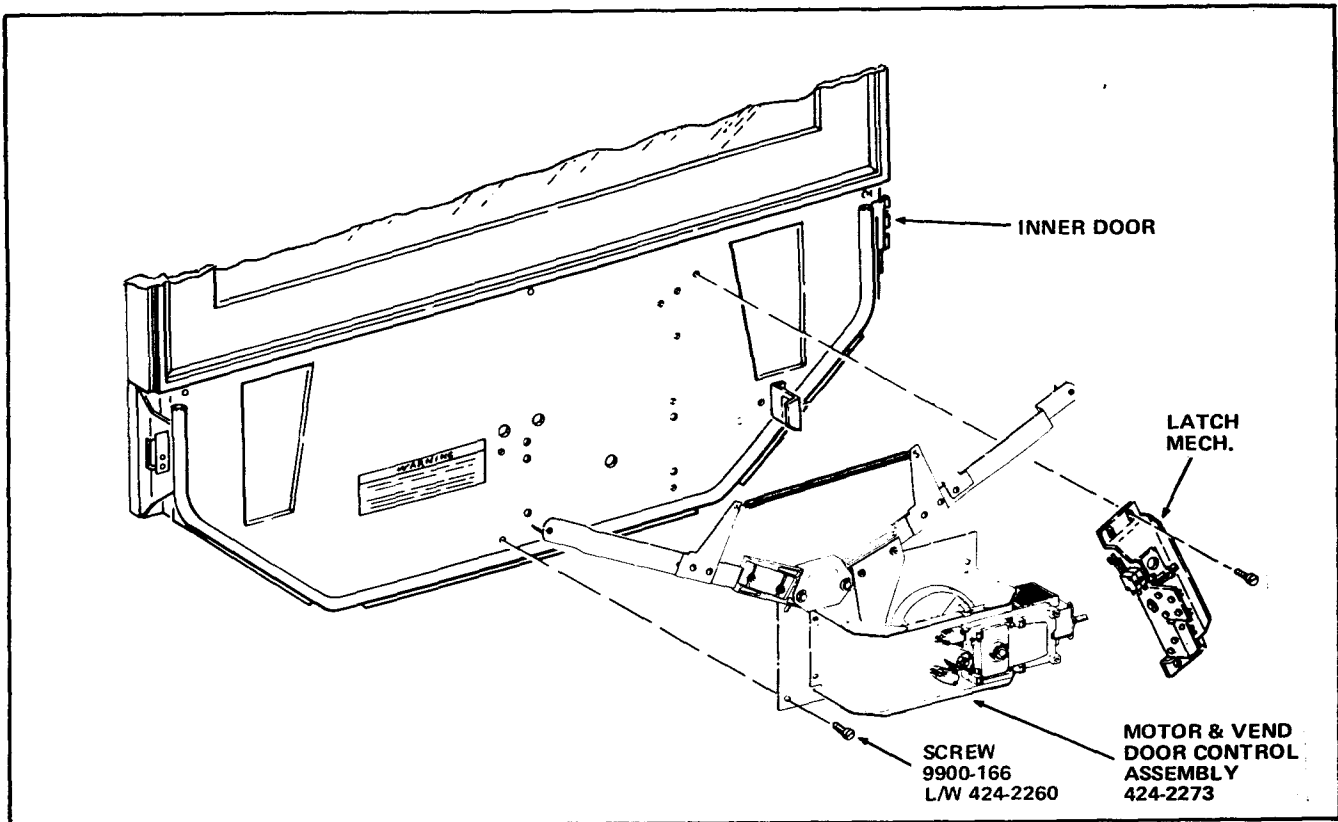


FIGURE 4

5. Insert the Delivery Door Harness Plug into the Plug Bracket and connect the Solenoid Channel Harness Receptacle to the Delivery Door Harness Plug. See Figure 1.

6. Connect the Delivery Door Harness to the four Delivery Door Switches and the Door Lock Solenoid on the Latch Mechanism Assembly. The Delivery Door Switches are numbered in Figure 5. Match the Correct Switch Receptacles to the correct Delivery Door Switches by wire color as follows:

Switch Number	Receptacle Wire Colors
No. 5	Red-Red-Blue
No. 6	Red-Red-Red
No. 3	Red-Orange
No. 4	Yellow-Black-Tan-Tan

7. Connect the Delivery Door Harness to the three Delivery Door Switches and the Motor on the Motor and Vend Door Control Assembly. The Delivery Door Switches are numbered in Figure 6.

Match the correct Switch Receptacles to the correct Delivery Door Switches by wire color as follows:

Switch Number	Receptacle Wire Colors
No. 7	Yellow-Tan-Tan
No. 2	Tan-Black-Blue
No. 1	Red-Red

8. Install five Screws and the Vend Door Control Shield, removed in Step A-4, into the Merchandiser. See Figure 1.

9. Close the Display Door.

10. Move the Main Switch to the ON position.

11. Close and lock the Monetary Compartment.

C. CHECKS AND ADJUSTMENTS

Test Vend the Merchandiser to check for proper completion of the Vend Cycle.

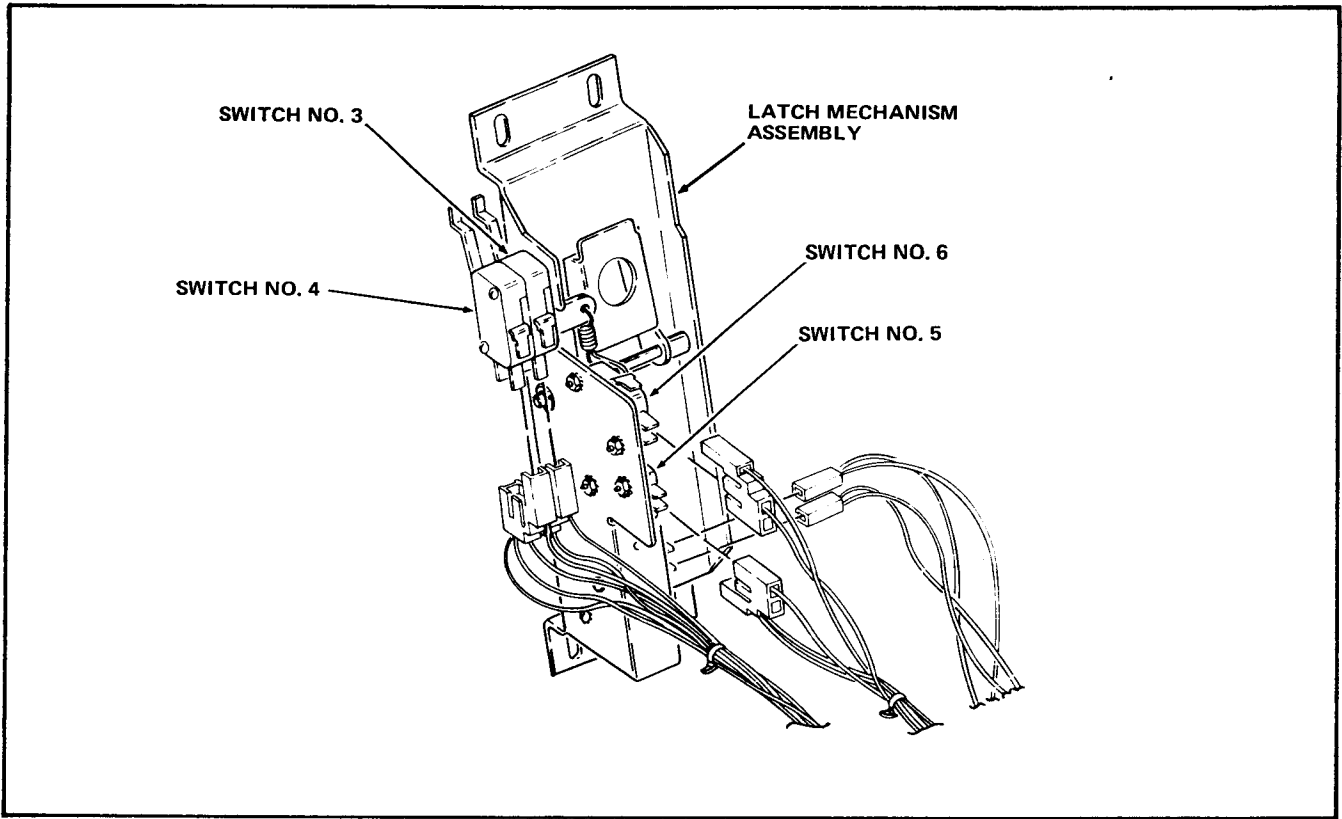


FIGURE 5

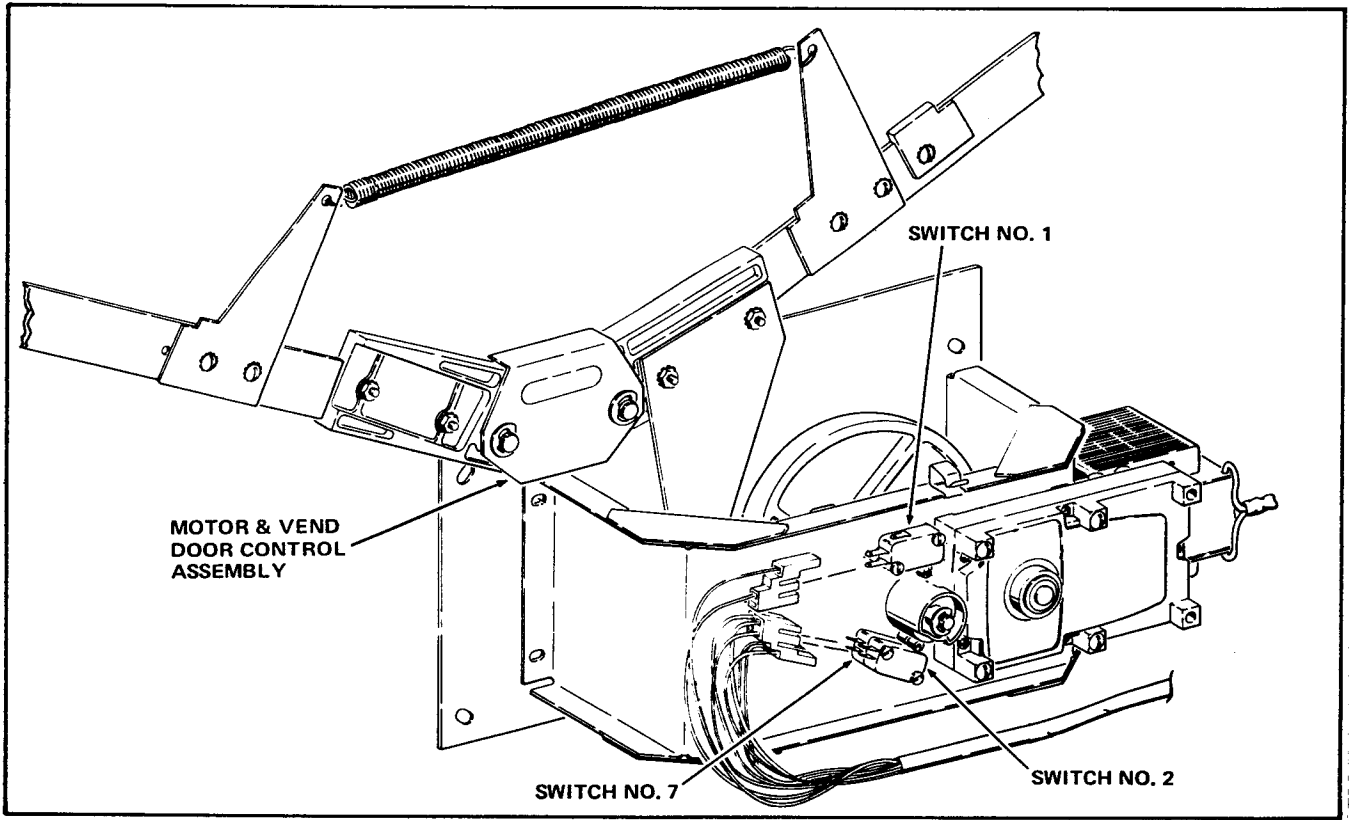


FIGURE 6

SECTION II
INSTALLATION OF THE DELIVERY DOOR HARNESS REPLACEMENT KIT
IN THE MERCHANDISER

A. PARTS REMOVAL

1. Unlock and open the Monetary Compartment.
2. Move the Main Switch to the OFF position.
3. Open the Display Door.
4. Remove five Screws and the Vend Door Control Shield from the Merchandiser. See Figure 1.
5. Disconnect the Delivery Door Harness from the Delivery Door Switches and the Motor on the Motor and Vend Door Control Assembly. See Figure 2.
6. Disconnect the Delivery Door Harness from the four Delivery Door Switches and the Door Lock Solenoid on the Latch Mechanism Assembly. See Figure 2.
7. Disconnect the Solenoid Channel Harness Receptacle from the Delivery Door Harness Plug and pull the Delivery Door Harness Plug free of the Plug Bracket on the Inner Door Bottom Panel. See Figure 1.
8. Remove one attaching Screw, one Wire Clamp and the Delivery Door Harness from the Merchandiser, pulling the Harness out of the Wire Clip on the Motor and Vend Door Control Assembly. See Figure 2.
9. Remove the Wire Clamp from the Delivery Door Harness. Be sure to retain both the Wire Clamp and its attaching Screw. See Figure 2.

B. INSTALLATION OF THE KIT

1. Place the Wire Clamp, removed in Step A-9, around the Delivery Door Harness, part number 424-2272, included in the Kit as shown in Figure 2.
2. Attach the Wire Clamp and Delivery Door Harness to the Latch Mechanism Assembly with the Screw removed in Step A-8 and push the Harness into the Wire Clip on the Motor and Vend Door Control Assembly. See Figure 2.
3. Insert the Delivery Door Harness Plug into the Plug Bracket and connect the Solenoid Channel Harness Receptacle to the Delivery Door Harness Plug. See Figure 1.

4. Connect the Delivery Door Harness to the four Delivery Door Switches and the Door Lock Solenoid on the Latch Mechanism Assembly. The Delivery Door Switches are numbered in Figure 5. Match the Correct Switch Receptacles to the correct Delivery Door Switches by wire color as follows:

Switch Number	Receptacle Wire Colors
No. 5	Red-Red-Blue
No. 6	Red-Red-Red
No. 3	Red-Orange
No. 4	Yellow-Black-Tan-Tan

NOTE

1. *Some Merchandisers are equipped with a Motor and Vend Door Control Assembly which has FOUR Delivery Door Switches. In this case, follow step B-5 and skip Step B-6.*
2. *If the Merchandiser is equipped with only THREE Delivery Door Switches on the Motor and Vend Door Control Assembly, skip Step B-5 and proceed to step B-6.*
5. The Delivery Door Switches are numbered in Figure 7. Connect the Delivery Door Harness to three of the four Delivery Door Switches on the Motor and Vend Door Control Assembly. Switch No. 8 will NOT be attached to the Delivery Door Harness. Match the correct Switch Receptacles to the correct Delivery Door Switches by wire color as follows:

Switch Number	Receptacle Wire Colors
No. 7	Yellow-Tan-Tan
No. 2	Tan-Black-Blue
No. 1	Red-Red
No. 8	Not attached

6. Connect the Delivery Door Harness to the three Delivery Door Switches and the Motor on the Motor and Vend Door Control Assembly. The Delivery Door Switches are numbered in Figure 6. Match the correct Switch Receptacles to the correct Delivery Door Switches by wire color as follows:

Switch Number	Receptacle Wire Colors
No. 7	Yellow-Tan-Tan
No. 2	Tan-Black-Blue
No. 1	Red-Red

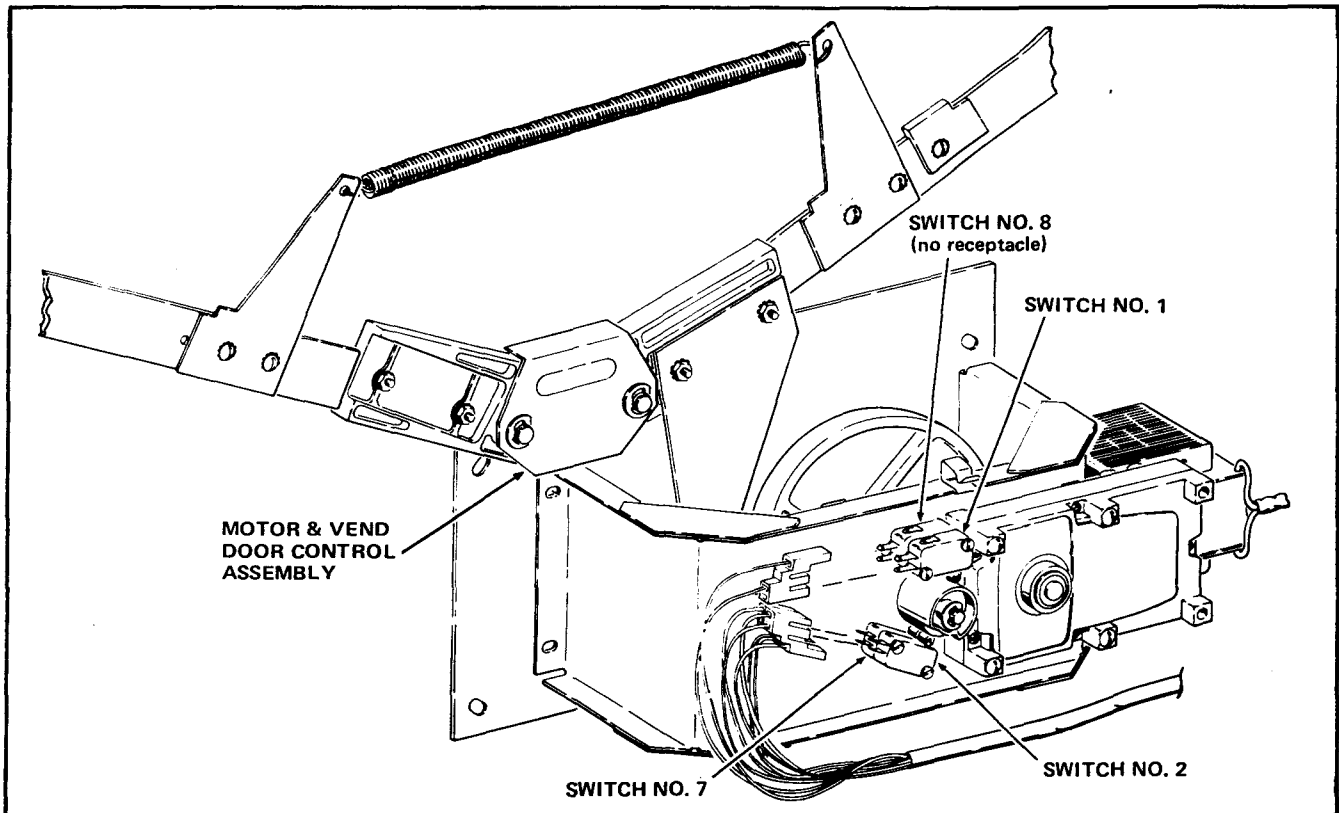


FIGURE 7

7. Install five Screws and the Vend Door Control Shield, removed in Step A-4, into the Merchandiser. See Figure 1.
8. Close the Display Door.
9. Move the Main Switch to the ON position.

10. Close and lock the Monetary Compartment.

C. CHECKS AND ADJUSTMENTS

Test vend the Merchandiser to check for proper completion of the Vend Cycle.